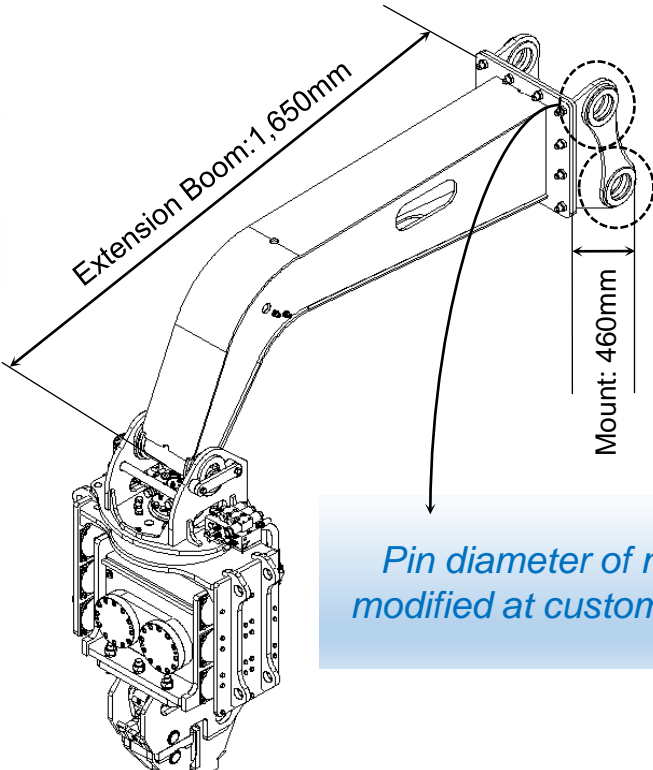
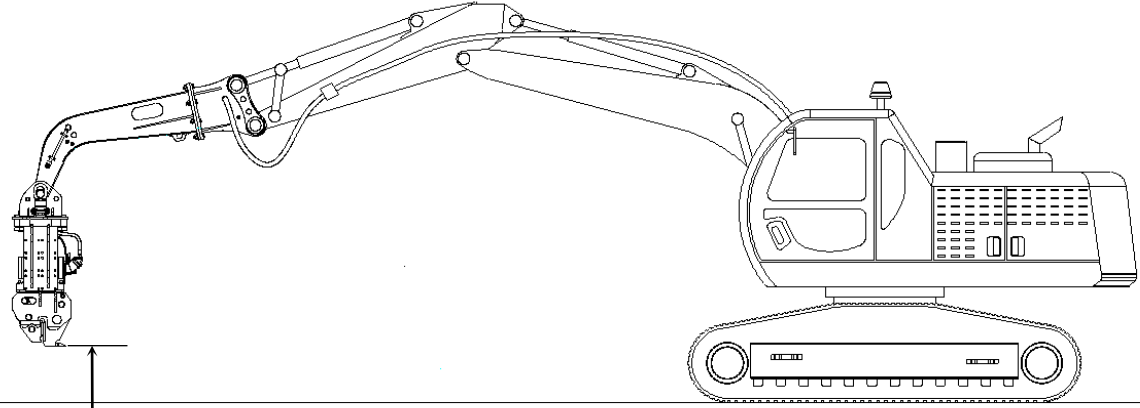


# Bullstern Vibro Hammer (Pile Driver) W250

Suitable Excavator  
20 ton ~ 28 ton

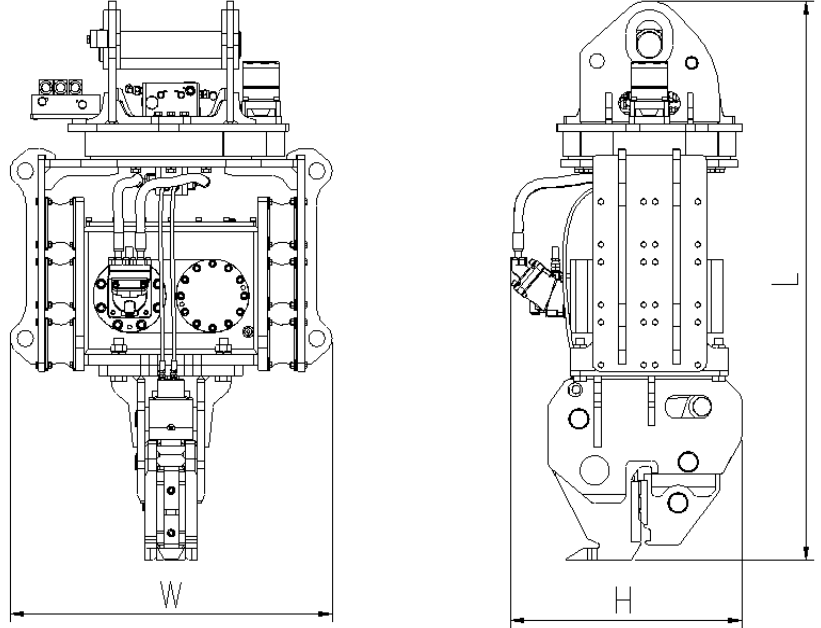


*Pin diameter of mount can be modified at customer's excavator*



*Extension boom with **JOINT**, W250 can be used up to **8M** of increased driving height*

7.5M



L x W x H: 1870 x 1040 x 750