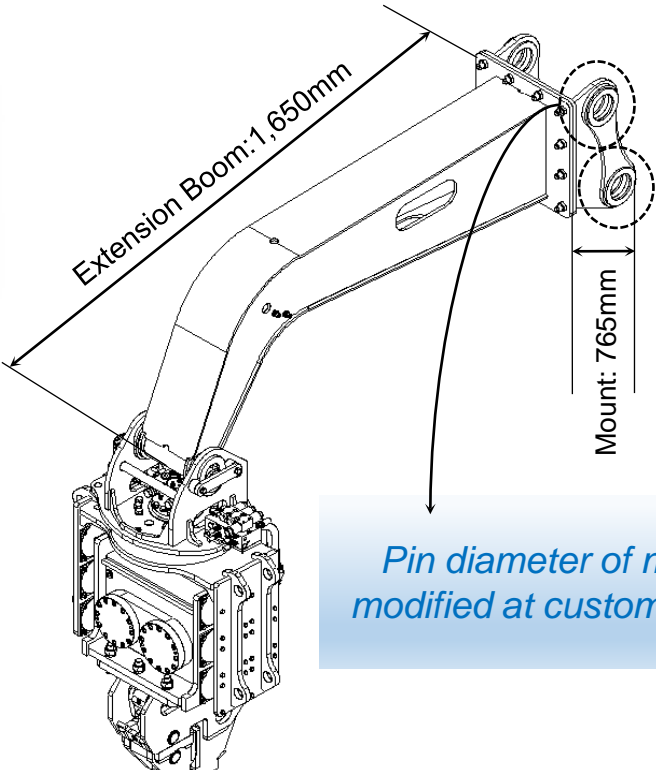
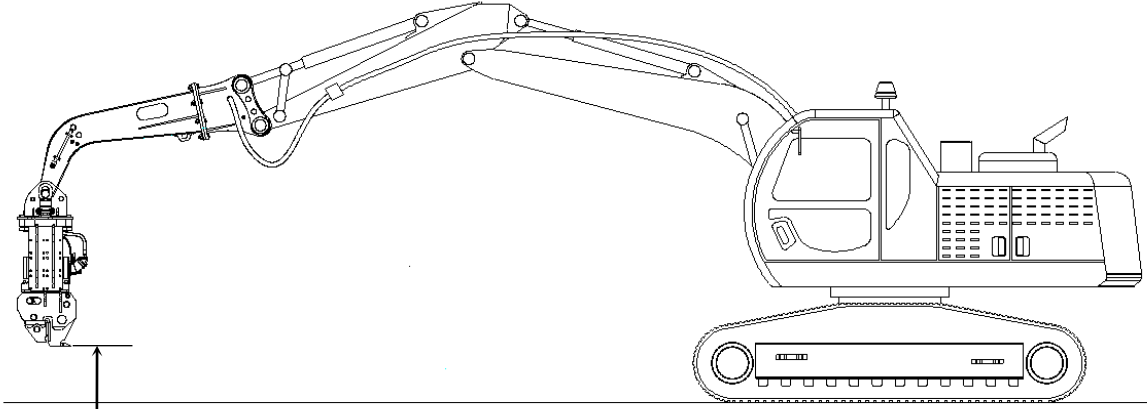


Bullstern Vibro Hammer (Pile Driver) W300

Suitable Excavator
28 ton ~ 34 ton

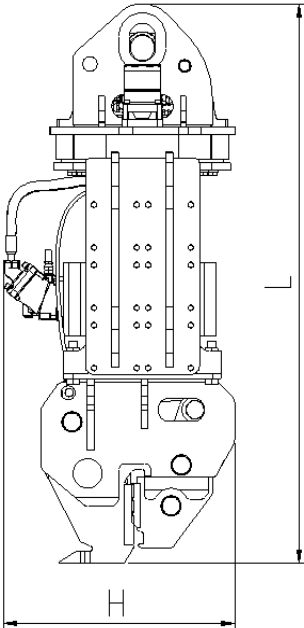
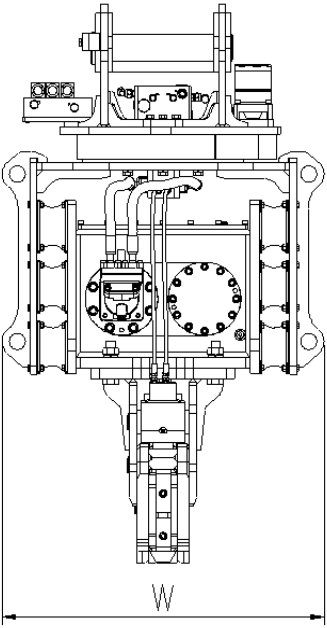


Pin diameter of mount can be modified at customer's excavator



*Extension boom with **JOINT**, W300 can be used up to 11.5M of increased driving height*

11M



L x W x H: 1975 x 1100 x 790