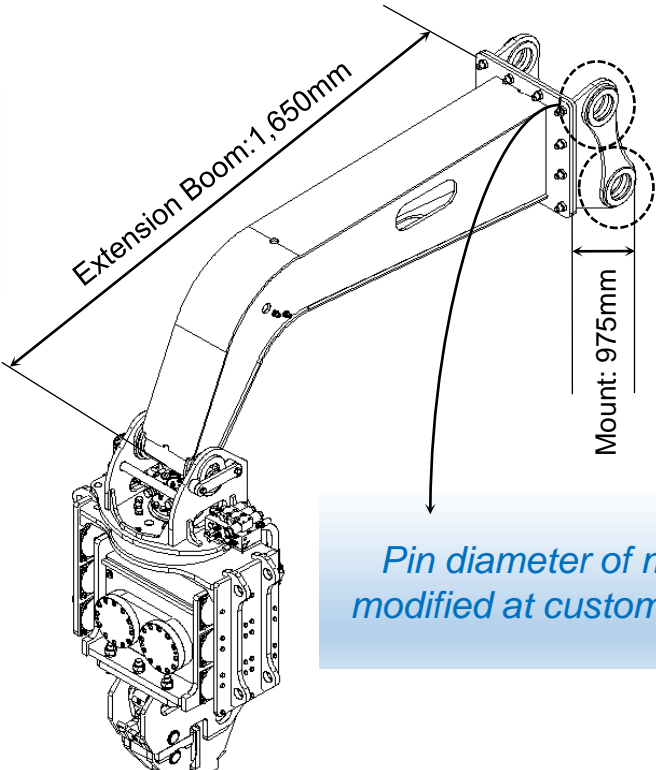
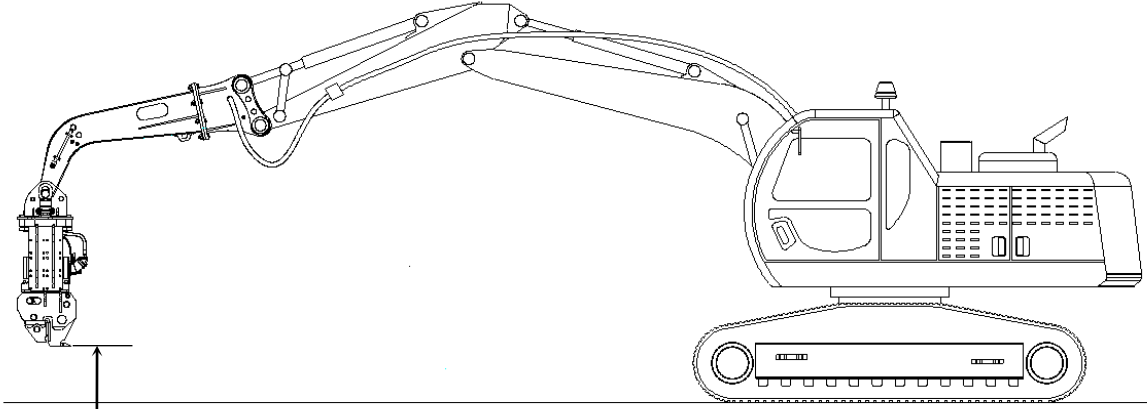


Bullstern Vibro Hammer (Pile Driver) W400

Suitable Excavator
33 ton ~ 45 ton

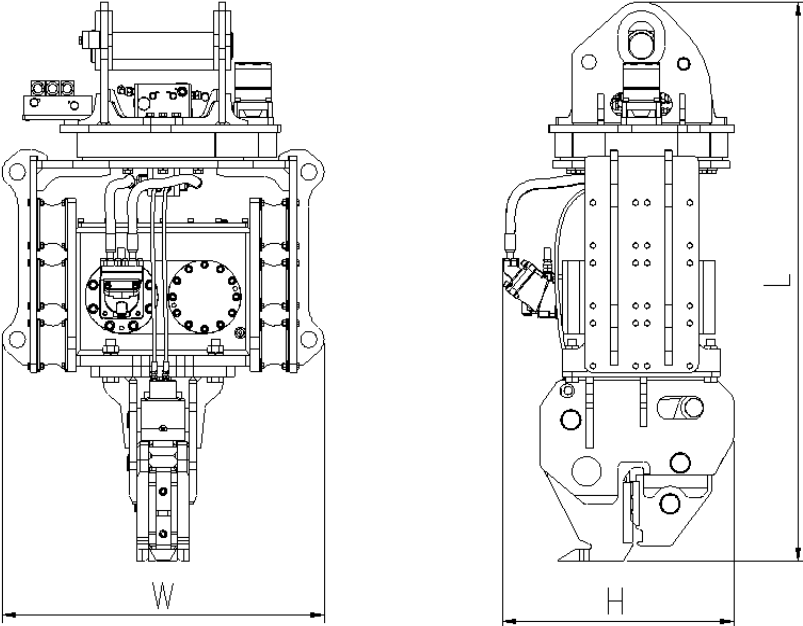


Pin diameter of mount can be modified at customer's excavator



*Extension boom with **JOINT**, W400 can be used up to 12M of increased driving height*

11.5M



L x W x H: 2055 x 1190 x 840