

1-phase Power Surge Protector 120kA



◎ Ordering Model Code

SCN-GPS-2120-1
SCN-GPS-2120-2

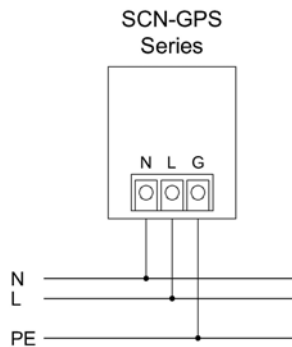
◎ Features

SCN-GPS-2120 AC Power Surge Protector is used on single-phase 2-wire AC power line in parallel to protect electric equipment from the surge voltage caused by lightning.

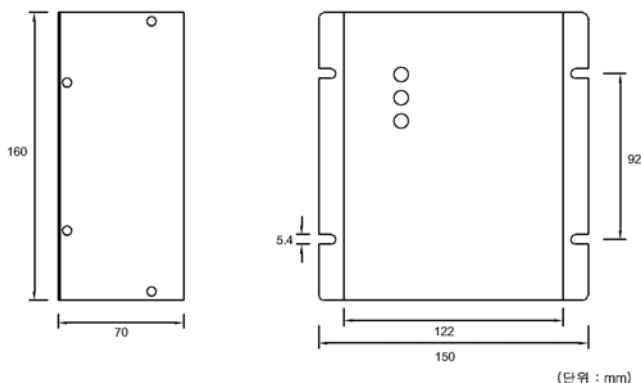
This device protects electric equipment from lightning or EMI by using line filter.

- Power lamp and error lamp indicator
- Ground normal operation check lamp
- Fuse built-in

◎ Terminal Connection



◎ Dimensions



◎ Specifications

| Model | GPS-2120-1 (110V) | GPS-2120-2 (220V) |
|--|---|------------------------------|
| Max Continuous Rated Voltage | 180V AC (RMS) | 320V AC (RMS) |
| Maximum Surge Voltage | (L-L) : 310V (L-G) : 310V | (L-L) : 845V (L-G) : 845V |
| Response Time | < 25 nano seconds | |
| Nominal Impulse Discharge Current | 120kA / mode (8 x 20 uS) 240kA / Phase (8 x 20 uS) | |
| Voltage Drop | less than 2V (50~60Hz) | |
| Insulation Resistance between Lines | 1000MΩ or more | |
| Grade | Class II | |
| Protecting Type | Parallel | |
| Nominal Voltage | 100/110/120V AC | 200/220/240V AC |
| Ambient Temperature | -40°C ~ 80°C | |
| Case Material & Color | Steel / Black | |
| Elements Used | UL Certified | |
| Featured Function | Automatic Return after Surge Inflow | |
| Mounting | Panel Mounting | |
| Dimensions | 150(W) x 160(H) x 70(D) mm | |