

Slim DC Signal Converter SCN-SL-DSC



Features

SCN-SL-DSC series Slim DC Signal Converters can be used to convert or distribute the input of various DC Voltages or Current into Dual isolated DC signals. These Converters are slim width, so these can be used conveniently in a small space

General Specifications

items	Specifications
Input	Various DC Currents and Voltages
Output	Various DC currents and DC voltages
Allowable Tolerance	± 0.2% Max
Linearity	± 0.02% of Full Scale
Response Time	Less than 0.5 sec (0 ~ 90%)
Temperature Influence	± 0.015% / °C
Output Control Range	ZERO ± 20% SPAN ± 20% of Full Scale
Insulation Resistance	More than 100MΩ at DC 500V
Withstand Voltage	AC 1500V/min between Input / Output / Power Supply
Power Supply	DC 24V ±10% Less than 100mA
Ambient Temperature	-10 - 60°C
Ambient Humidity	10 ~ 90%
Weight	Appr. 110g in case of DC Power
Material / Color	Non-Flammable ABS / Gray
Dimensions	W23 x H75 x D100(mm)
Mounting Type	DIN Rail

Order Information

SCN - SL - DSC -

Input Signals

A	DC 0 ~ 100mV
B	DC 0 ~ 10V
C	DC 1 ~ 5V
D	DC 0 ~ 1mA
E	DC 0 ~ 20mA
F	DC 4 ~ 20mA
R	Other

Output-1 Signals

1	DC 0 ~ 50mV
2	DC 0 ~ 100mV
3	DC 0 ~ 5V
4	DC 0 ~ 10V
5	DC 1 ~ 5V
6	DC 0 ~ 1mA
7	DC 0 ~ 20mA
8	DC 4 ~ 20mA
R	Other

Output-2 Signals

1	DC 0 ~ 50mV
2	DC 0 ~ 100mV
3	DC 0 ~ 5V
4	DC 0 ~ 10V
5	DC 1 ~ 5V
6	DC 0 ~ 1mA
7	DC 0 ~ 20mA
8	DC 4 ~ 20mA
R	Other
N	Not used

Power Supply

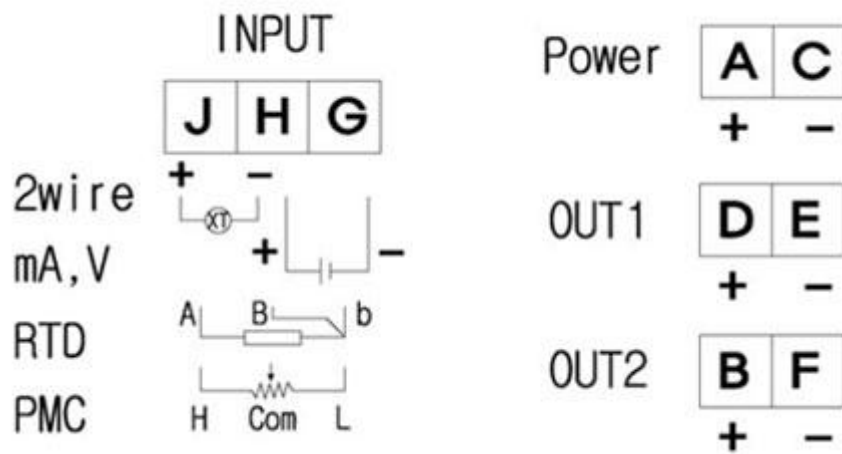
Y	DC 24V
---	--------

Slim DC Signal Converter SCN-SL-DSC

□ Input Impedance

Input	Impedance
0 ~ 100mV	20kΩ ~ 1MΩ
0 ~ 10V	
0 ~ 1mA	1kΩ
4 ~ 20mA	250Ω

□ Block Diagram



□ Dimensions and Terminal Connection

