

**Slim Isolation Power Distributor SCN-SL-IPD**



**Features**

SCN-SL-IPD series Slim Isolation Power Distributor supplies DC power into 2-wire type transmitters for pressure, flow rate or fluid level, and converts the current signal of transmitter into the Dual isolated DC signal simultaneously. The width of this converter is very slim so that this can be used conveniently enough in a small space.

**General Specifications**

items	Specifications
Input	2-Wire Type Transmitters
Output	Various DC currents and DC voltages
Allowable Tolerance	± 0.2% Max
Linearity	± 0.02% of Full Scale
Response Time	Less than 0.5 sec (0 ~ 90%)
Temperature Influence	± 0.015% / °C
Output Control Range	ZERO ± 20% SPAN ± 20% of Full Scale
Insulation Resistance	More than 100MΩ at DC 500V
Withstand Voltage	AC 1500V/min between Input / Output / Power Supply
Power Supply	DC 24V ±10% Less than 100mA
Ambient Temperature	-10 - 60°C
Ambient Humidity	10 ~ 90%
Weight	Appr. 110g in case of DC Power
Material / Color	Non-Flammable ABS / Gray
Dimensions	W23 x H75 x D100(mm)
Mounting Type	DIN Rail

**Order Information**

**SCN - SL - IPD -**

**Input Signals**

<b>A</b>	DC 24V/4~20mA
<b>B</b>	Other

**Output-1 Signals**

<b>1</b>	DC 0 ~ 50mV
<b>2</b>	DC 0 ~ 100mV
<b>3</b>	DC 0 ~ 5V
<b>4</b>	DC 0 ~ 10V
<b>5</b>	DC 1 ~ 5V
<b>6</b>	DC 0 ~ 1mA
<b>7</b>	DC 0 ~ 20mA
<b>8</b>	DC 4 ~ 20mA
<b>R</b>	Other

**Output-2 Signals**

<b>1</b>	DC 0 ~ 50mV
<b>2</b>	DC 0 ~ 100mV
<b>3</b>	DC 0 ~ 5V
<b>4</b>	DC 0 ~ 10V
<b>5</b>	DC 1 ~ 5V
<b>6</b>	DC 0 ~ 1mA
<b>7</b>	DC 0 ~ 20mA
<b>8</b>	DC 4 ~ 20mA
<b>R</b>	Other
<b>N</b>	Not used

**Power Supply**

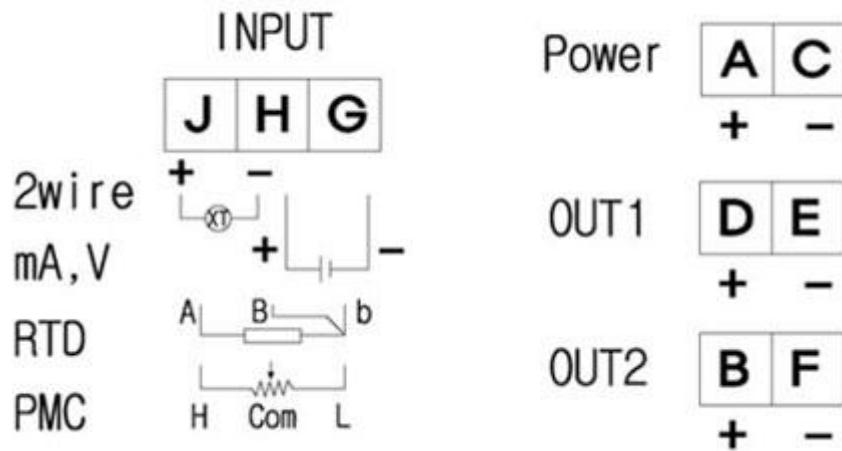
<b>Y</b>	DC 24V
----------	--------

## Slim Isolation Power Distributor SCN-SL-IPD

### □ Input Impedance

Input	Specifications
Supply Voltage	DC 24 ~ 28V
Current Limited	30mA (Max)
Input Impedance	100Ω

### □ Block Diagram



### □ Dimensions and Terminal Connection

