



## ■ Order information

SCONI – 2DSC -

### ◎ Circuit 1

#### ● Input signal

A	DC 0 ~ 10V
B	DC 1 ~ 5V
C	DC 0 ~ 20mA
D	DC 4 ~ 20mA
R	Other

#### ● Output signal

1	DC 0 ~ 10V
2	DC 1 ~ 5V
3	DC 0 ~ 20mA
4	DC 4 ~ 20mA
R	Other

### ◎ Circuit 2

#### ● Input signal

A	DC 0 ~ 10V
B	DC 1 ~ 5V
C	DC 0 ~ 20mA
D	DC 4 ~ 20mA
R	Other

#### ● Output signal

1	DC 0 ~ 10V
2	DC 1 ~ 5V
3	DC 0 ~ 20mA
4	DC 4 ~ 20mA
R	Other

#### ● Power supply

X	AC 110V/220V
Y	DC 24V

## ■ General

This model is a 2 loop signal converter which inputs 2 loop signal and outputs 2 isolated output.

## ■ General specification

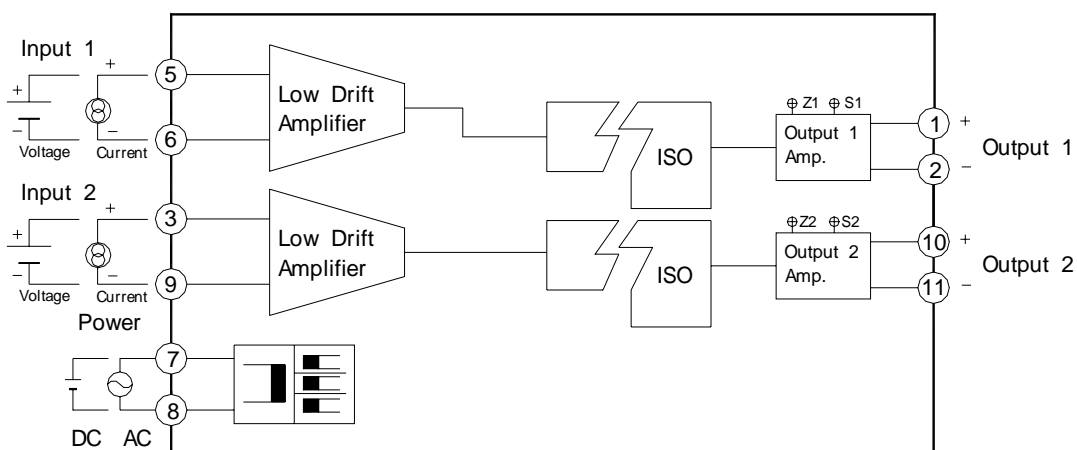
Item	Specification
Input	DC current, voltage
Output	DC current, voltage
Tolerance	± 0.2% Max.
Linearity	± 0.02% F.S
Response Time	Less than 0.5sec(0~90%)
Temperature Coefficient	± 0.015% / °C
Output adj Range	ZERO ± 20% SPAN ± 20% of F.S
Isolation	More than 100MΩ(DC 500V)
Dielectric Strength	Input/Output/Power, AC 1500V / min
Power Supply	AC 110/220V ±10% 50/60Hz 3VA DC 24V ±10%, Less than 100mA
Operating Temperature	0 ~ 55°C
Operating Humidity	20 ~ 80%
Weight	Approx 400gr(AC), 250gr(DC)
Material/Color	ABS Resin / Black
Dimension	W48 x H80 x D102 (mm)
Mounting	Wall or DIN Rail

■ Input - Output specification

Input	Impedance
0 ~ 100mV	20kΩ ~ 1MΩ
0 ~ 5V	
0 ~ 10V	
0 ~ 1mA	1kΩ
4 ~ 20mA	100Ω

Output	Load Resistance	Impedance
0 ~ 100mV	1kΩ or more	100Ω or less
0 ~ 5V	2kΩ or more	0.1Ω or less
0 ~ 10V	4kΩ or more	
0 ~ 1mA	0 ~ 15kΩ	5MΩ or more
4 ~ 20mA	0 ~ 750Ω	

■ Block diagram



■ Terminal connection

