



## Order information

SCONI - 3DST -

### Input signal

A	RTD
B	Potentiometer
C	2 Wire
D	DC 0 ~ 10V
E	DC 1 ~ 5V
F	DC 0 ~ 20mA
G	DC 4 ~ 20mA
R	Other

### Output signal (1)

1	DC 0 ~ 10V
2	DC 1 ~ 5V
3	DC 0 ~ 20mA
4	DC 4 ~ 20mA
R	Other

### Output signal (2)

1	DC 0 ~ 10V
2	DC 1 ~ 5V
3	DC 0 ~ 20mA
4	DC 4 ~ 20mA
R	Other

### Output signal (3)

1	DC 0 ~ 10V
2	DC 1 ~ 5V
3	DC 0 ~ 20mA
4	DC 4 ~ 20mA
R	Other

### Power supply

X	AC 110V/220V
Y	DC 24V

## General

This model is a distributor which inputs various signal and outputs isolated 3 output. Also, it is used in narrow space widely.

## General specification

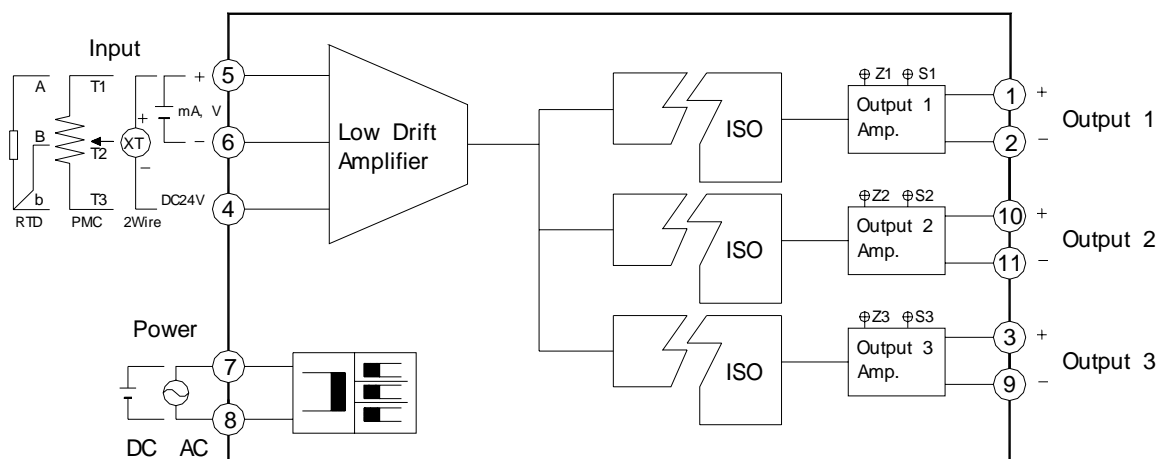
Item	Specification
Input	DC current, voltage, RTD, PMC, 2 Wire
Output	Various DC current, voltage
Tolerance	± 0.2% Max.
Linearity	± 0.02% F.S
Response Time	Less than 0.5sec(0~90%)
Temperature Coefficient	± 0.015% /
Output adj Range	ZERO ± 20% SPAN ± 20% of F.S
Isolation	More than 100MΩ(DC 500V)
Dielectric Strength	Input/Output/Power, AC 1500V / min
Power Supply	AC 110/220V ±10% 50/60Hz 3VA
	DC 24V ±10%, Less than 100mA
Operating Temperature	0 ~ 55
Operating Humidity	20 ~ 80%
Weight	Approx 400gr(AC), 250gr(DC)
Material/Color	ABS Resin / Black
Dimension	W48 x H80 x D102 (mm)
Mounting	Wall or DIN Rail

■ Input - Output specification

Input	Specification
DSC	DC 1~5V : 1 kΩ or more
	DC 4~20mA : 250Ω
IPD	Supply : DC 24~28V
PMC	Excitation : 2.5V DC
RTD	Sensor supply : DC 2mA

Output	Load Resistance	Impedance
0 ~ 100mV	1kΩ or more	100Ω or less
0 ~ 5V	2kΩ or more	0.1Ω or less
0 ~ 10V	4kΩ or more	
0 ~ 1mA	0 ~ 15kΩ	5MΩ or more
4 ~ 20mA	0 ~ 750Ω	

■ Block diagram



■ Terminal connection

