



■ Order information

SCONI - ACC -

• Input signal

A	AC 0 ~ 1A
B	AC 0 ~ 5A
R	Other

• Output signal (1)

1	DC 0 ~ 50mV
2	DC 0 ~ 100mV
3	DC 0 ~ 5V
4	DC 0 ~ 10V
5	DC 1 ~ 5V
6	DC 0 ~ 1mA
7	DC 0 ~ 20mA
8	DC 4 ~ 20mA
R	Other

• Output signal (2)

1	DC 0 ~ 50mV
2	DC 0 ~ 100mV
3	DC 0 ~ 5V
4	DC 0 ~ 10V
5	DC 1 ~ 5V
6	DC 0 ~ 1mA
7	DC 0 ~ 20mA
8	DC 4 ~ 20mA
R	Other
N	Not used

• Power supply

X	AC 110V/220V
Y	DC 24V

■ General

This model converts AC current into isolated DC signal.

■ General specification

Item	Specification
Input	Various AC current
Output	Various DC current, DC voltage
Tolerance	± 0.3% Max.
Linearity	± 0.2% F.S
Response Time	Less than 0.5sec(0~90%)
Temperature Coefficient	± 0.015% /
Output adj Range	ZERO ± 20% SPAN ± 20% of F.S
Isolation	More than 100MΩ(DC 500V)
Dielectric Strength	Input/Output/Power AC 1500V / min
Power supply	AC 110/220V ±10% 50/60Hz 3VA
	DC 24V ±10%, Less than 100mA
Operating Temperature	0 ~ 55
Operating Humidity	20 ~ 80%
Weight	Approx 400gr(AC), 250gr(DC)
Material/Color	ABS Resin / Black
Dimension	W48 x H80 x D102 (mm)
Mounting	Wall or DIN Rail

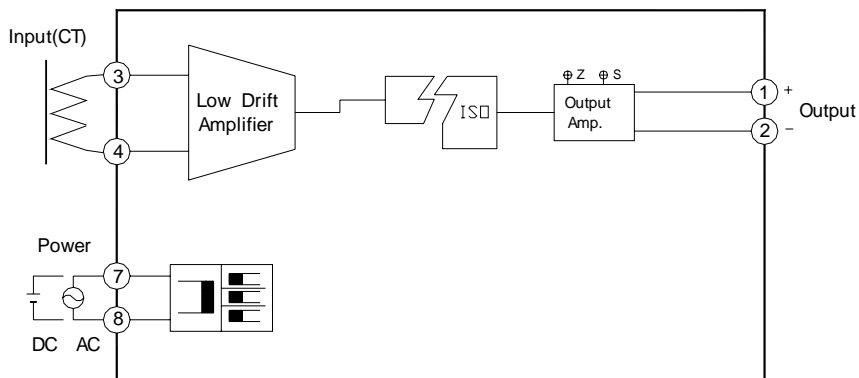
■ Input - Output specification

Input	Specification
Loss	0.5V or less
Permissible over range	500%, 1minute
Operational range	0 ~ 110%
Ripple	0.2% rms

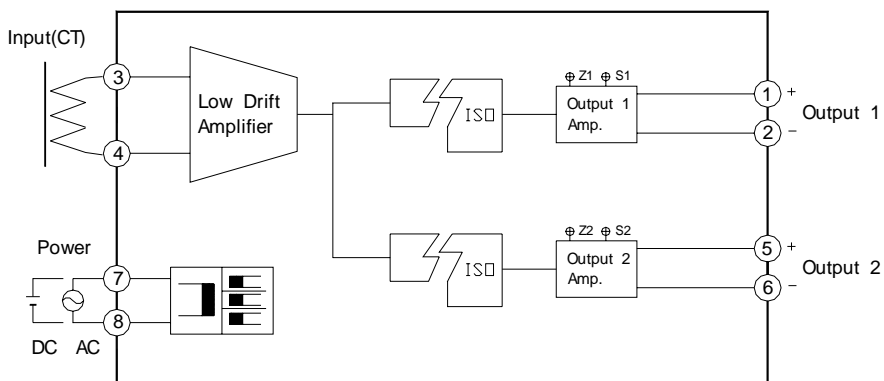
Output	Load Resistance	Impedance
0 ~ 100mV	1kΩ or more	100Ω or less
0 ~ 5V	2kΩ or more	0.1Ω or less
0 ~ 10V	4kΩ or more	
0 ~ 1mA	0 ~ 15kΩ	5MΩ or more
4 ~ 20mA	0 ~ 750Ω	

■ Block diagram

1 Output

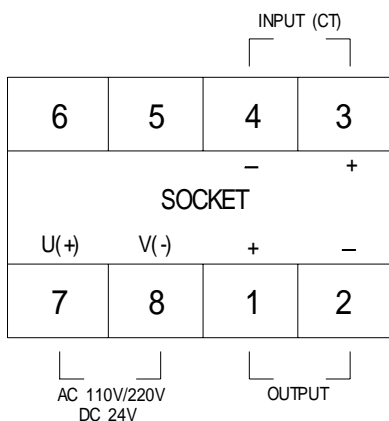


2 Output



■ Terminal connection

1 Output



2 Output

