



■ Order information

SCONI - LPC - -

● Input type

A	Voltage Pulse/3W
B	Current Pulse
C	Voltage Pulse/2W
D	Open Collector
E	Dry Contact
R	Other

● Output signal (1)

1	DC 0 ~ 50mV
2	DC 0 ~ 100mV
3	DC 0 ~ 5V
4	DC 0 ~ 10V
5	DC 1 ~ 5V
6	DC 0~ 1mA
7	DC 0 ~ 20mA
8	DC 4 ~ 20mA
R	Other

● Output signal (2)

1	DC 0 ~ 50mV
2	DC 0 ~ 100mV
3	DC 0 ~ 5V
4	DC 0 ~ 10V
5	DC 1 ~ 5V
6	DC 0 ~ 1mA
7	DC 0 ~ 20mA
8	DC 4 ~ 20mA
R	Other
N	Not used

● Power supply

X	AC 110V/220V
Y	DC 24V

■ General

This model converts low speed pulse signal of an oil gauge or rotor into isolated DC signal.

■ General specification

Item	Specification
Input	Various pulse
Output	Various DC current, DC voltage
Tolerance	± 0.2% Max.
Linearity	± 0.05% F.S
Response Time	Less than 0.5sec(0~90%)
Temperature Coefficient	± 0.015% /
Output adj Range	ZERO ± 20% SPAN ± 20% of F.S
Isolation	More than 100MQ(DC 500V)
Dielectric Strength	Input/Output/Power AC 1500V / min
Power Supply	AC 110/220V ±10% 50/60Hz 3VA DC 24V ±10%, Less than 100mA
Operating Temperature	0 ~ 55
Operating Humidity	20 ~ 80%
Weight	Approx 400gr(AC), 250gr(DC)
Material/Color	ABS Resin / Black
Dimension	W48 x H88 x D102 (mm)
Mounting	Wall or DIN Rail

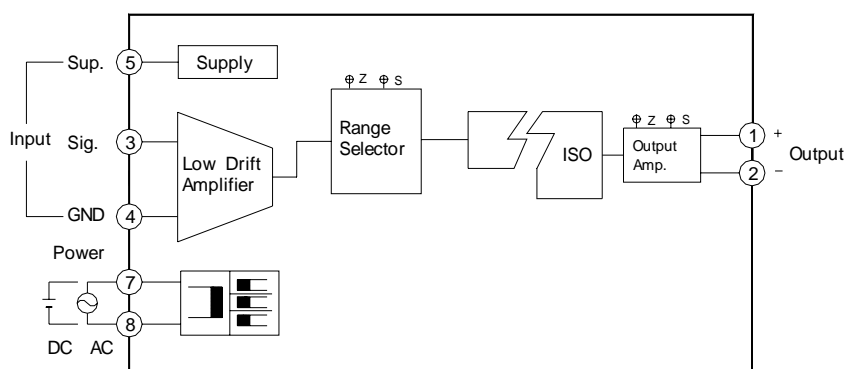
■ Input - Output specification

Input	Specification
Frequency	0 ~ 200Hz
Duty Ratio	20 ~ 80%
Sensing	DC 12V / 3mA
Sensor	12V / 30mA

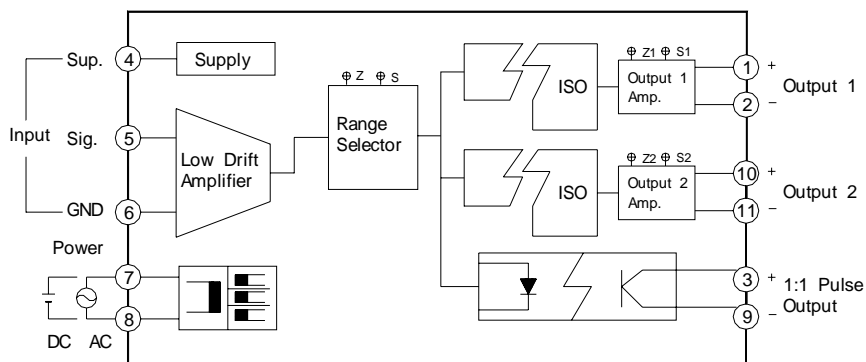
Output	Load Resistance	Impedance
0 ~ 100mV	1kΩ or more	100Ω or less
0 ~ 5V	2kΩ or more	0.1Ω or less
0 ~ 10V	4kΩ or more	
0 ~ 1mA	0 ~ 15kΩ	5MΩ or mores
4 ~ 20mA	0 ~ 750Ω	

■ Block diagram

1 Output

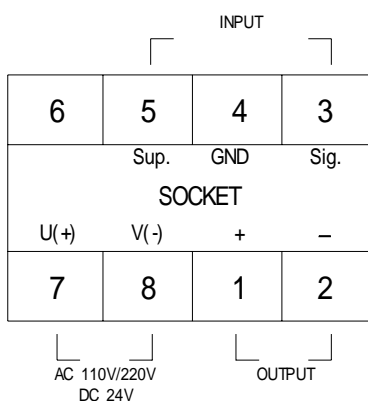


2 Output



■ Terminal connection

1 Output



2 Output

