



Order information

SCONI - PDB - -

Type

1	1 Output
2	2 Output

Output voltage

1	DC 12V
2	DC 24V
R	Other

Power supply

X	AC 110V/220V
Y	DC 24V

General

This model is designed to supply stable power of DC 24V into various transmitter.

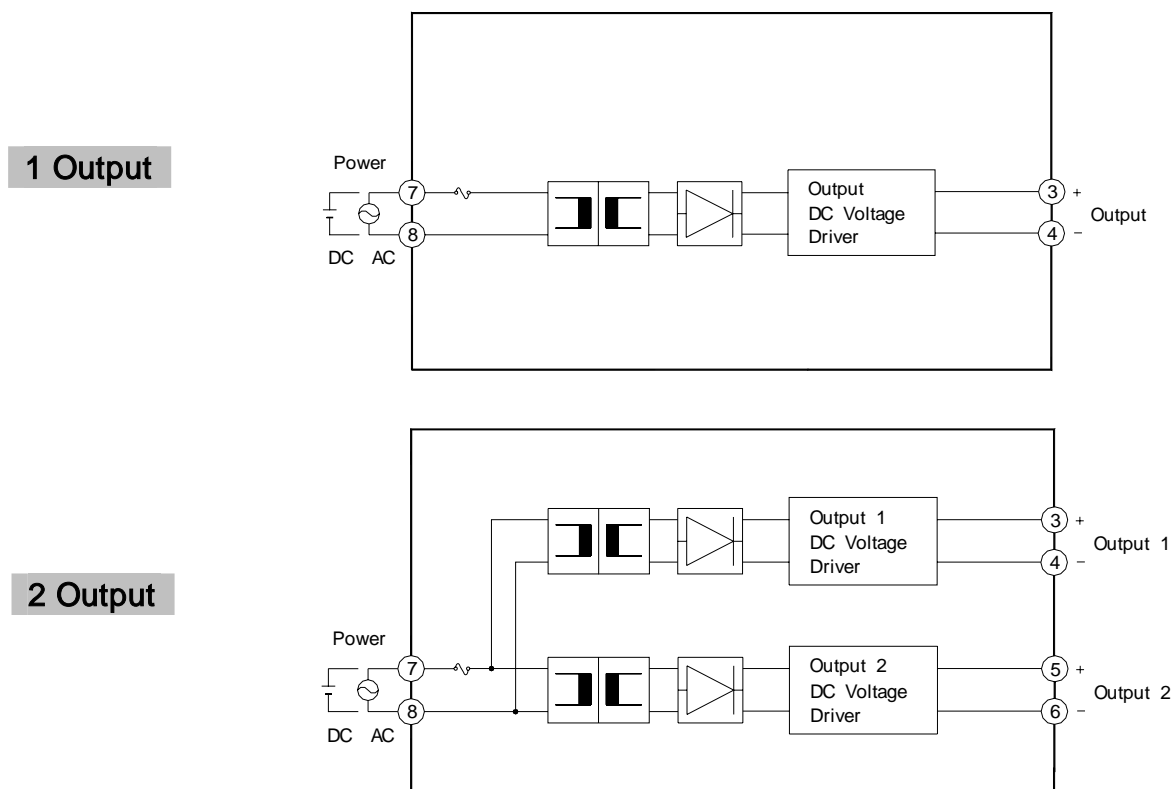
General specification

Item	Specification
Output Voltage	DC 12V 100mA Max.
	DC 24V 50mA Max.
Short Current	Less than 30mA
Ripple	Less than 0.1V P-P
Temperature Coefficient	± 0.015% /
Isolation	More than 100MΩ(DC 500V)
Dielectric Strength	Input/Output/Power AC 1500V / min
Power Supply	AC 110/220V ±10% 50/60Hz 3VA
	DC 24V ±10%, Less than 100mA
Operating Temperature	0 ~ 55
Operating Humidity	20 ~ 80%
Weight	Approx 400gr
Material/Color	ABS Resin / Black
Dimension	W48 x H88 x D102 (mm)
Mounting	Wall or DIN Rail

■ Input - Output specification

Supply	DC 12V	DC 24V
1 Output	100mA(Max)	50mA(Max)
2 Output	100mA(Max)	50mA(Max)

■ Block diagram



■ Terminal connection

