



Order information

SCONI - RVS -

Input signal

A	DC 0 ~ 50mV
B	DC 0 ~ 100mV
C	DC 0 ~ 5V
D	DC 0 ~ 10V
E	DC 1 ~ 5V
F	DC 0 ~ 1mA
G	DC 0 ~ 20mA
H	DC 4 ~ 20mA
R	Other

Output signal (1)

1	DC 0 ~ 50mV
2	DC 0 ~ 100mV
3	DC 0 ~ 5V
4	DC 0 ~ 10V
5	DC 1 ~ 5V
6	DC 0 ~ 1mA
7	DC 0 ~ 20mA
8	DC 4 ~ 20mA
R	Other

Output signal (2)

1	DC 0 ~ 50mV
2	DC 0 ~ 100mV
3	DC 0 ~ 5V
4	DC 0 ~ 10V
5	DC 1 ~ 5V
6	DC 0 ~ 1mA
7	DC 0 ~ 20mA
8	DC 4 ~ 20mA
R	Other
N	Not used

Power supply

X	AC 110V/220V
Y	DC 24V

General

This model converts DC voltage and current input into reversed DC signal.

General specification

Item	Specification
Input	Various DC current, DC voltage
Output	Various DC current, DC voltage
Tolerance	± 0.2% Max.
Linearity	± 0.02% F.S
Response	Less than 0.5sec(0~90%)
Temperature Coefficient	± 0.015% /
Output adj Range	ZERO ± 20% SPAN ± 20% of F.S
Isolation	More than 100MΩ(DC 500V)
Dielectric	Input/Output/Power, AC 1500V / min
Power Supply	AC 110/220V ±10% 50/60Hz 3VA DC 24V ±10%, Less than 100mA
Operating Temperature	0 ~ 55
Operating Humidity	20 ~ 80%
Weight	Approx 400gr(AC), 250gr(DC)
Material/Color	ABS Resin / Black
Dimension	W48 x H88 x D102 (mm)
Mounting	Wall or DIN Rail

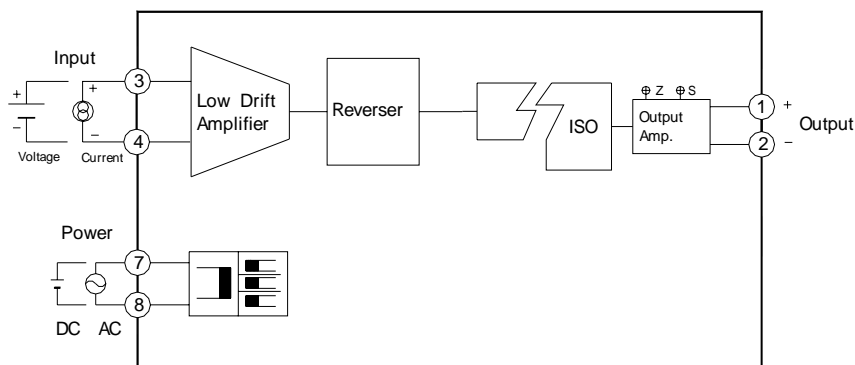
■ Input - Output specification

Input	Impedance
0 ~ 100mV	20kΩ ~ 1MΩ
0 ~ 5V	
0 ~ 10V	
0 ~ 1mA	1kΩ
4 ~ 20mA	100Ω

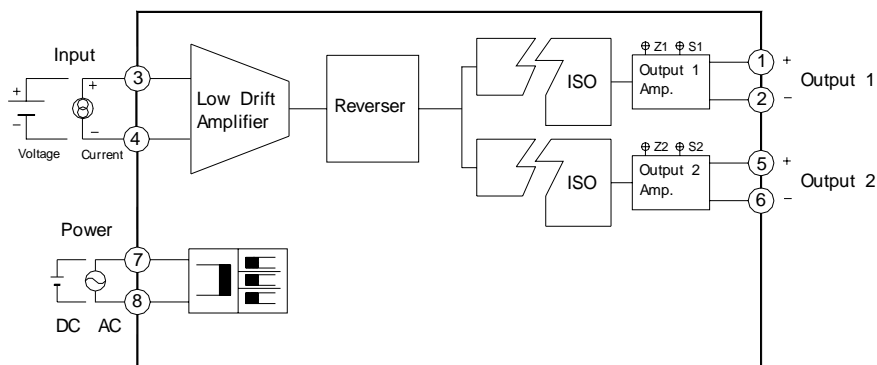
Output	Load Resistance	Impedance
0 ~ 100mV	1kΩ or more	100Ω or less
0 ~ 5V	2kΩ or more	0.1Ω or less
0 ~ 10V	4kΩ or more	
0 ~ 1mA	0 ~ 15kΩ	5MΩ or more
4 ~ 20mA	0 ~ 750Ω	

■ Block diagram

1 Output

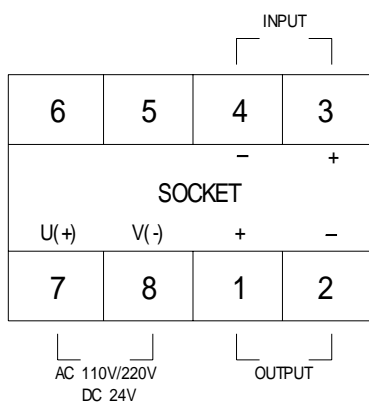


2 Output



■ terminal connection

1 Output



2 Output

