

Semi Multi Slim RTD Signal Converter **SCONI-SI-200R**



□ Features

SCONI-SI-200R series Semi Multi Slim RTD Signal Converter can receive signals from RTD or PMC. Reliability is guaranteed by adopting 16 Bit A/D converter of high performance and accuracy. This converter can receive all the range from 0~1k Ω to 0~100k Ω when using potentiometer. Dual outputs of current or voltage can be installed.

□ General Specifications

items	Specifications
Input Resistance	mV Type : 1M Ω
Source Resistance	Pt 100 Ω :30 Ω /Line, Others:1k Ω /Line
Response Time	200ms (RTD, PMC)
Allowable Tolerance	0.2% of Span at 23 $^{\circ}$ C
Linearity	0.1% of Span
Load Resistance	0~10V DC (4k Ω or more)
	4~20mA DC (0 ~ 600 Ω)
Insulation Resistance	More than 100M Ω at DC 1000V between input and output
Withstand Voltage	AC 1500V/min between Input, Output and Power Supply
Power Supply	AC 85~264V, 50/60Hz 3VA
	DC 24V \pm 10% 100mA
Ambient Temperature	-10 ~ 60 $^{\circ}$ C
Ambient Humidity	10 ~ 90%
Weight	Appr. 180g
Material / Color	Non-Flammable ABS / Black
Dimensions	W28.5 x H90 x D103 (mm)
Mounting Type	Wall or DIN Rail

□ Order Information

SCONI - SI - 200R -

□ Input Signals

1	-50 ~ 50 $^{\circ}$ C DIN
2	-50 ~ 100 $^{\circ}$ C DIN
3	0 ~ 50 $^{\circ}$ C DIN
4	0 ~ 100 $^{\circ}$ C DIN
5	0 ~ 150 $^{\circ}$ C DIN
6	0 ~ 200 $^{\circ}$ C DIN
7	0 ~ 300 $^{\circ}$ C DIN
8	0 ~ 400 $^{\circ}$ C DIN
R	Other
Requested to specify the resistance range when ordering for PMC	

□ Output-1 Signals

1	DC 0 ~ 5V
2	DC 0 ~ 10V
3	DC 1 ~ 5V
4	DC 0 ~ 20mA
5	DC 4 ~ 20mA
R	Other

□ Output-2 Signals

1	DC 0 ~ 5V
2	DC 0 ~ 10V
3	DC 1 ~ 5V
4	DC 0 ~ 20mA
5	DC 4 ~ 20mA
R	Other
N	Not used

□ Power Supply

X	AC 85~264V
Y	DC 24V(Optional)

Semi Multi Slim RTD Signal Converter SCONI-SI-200R

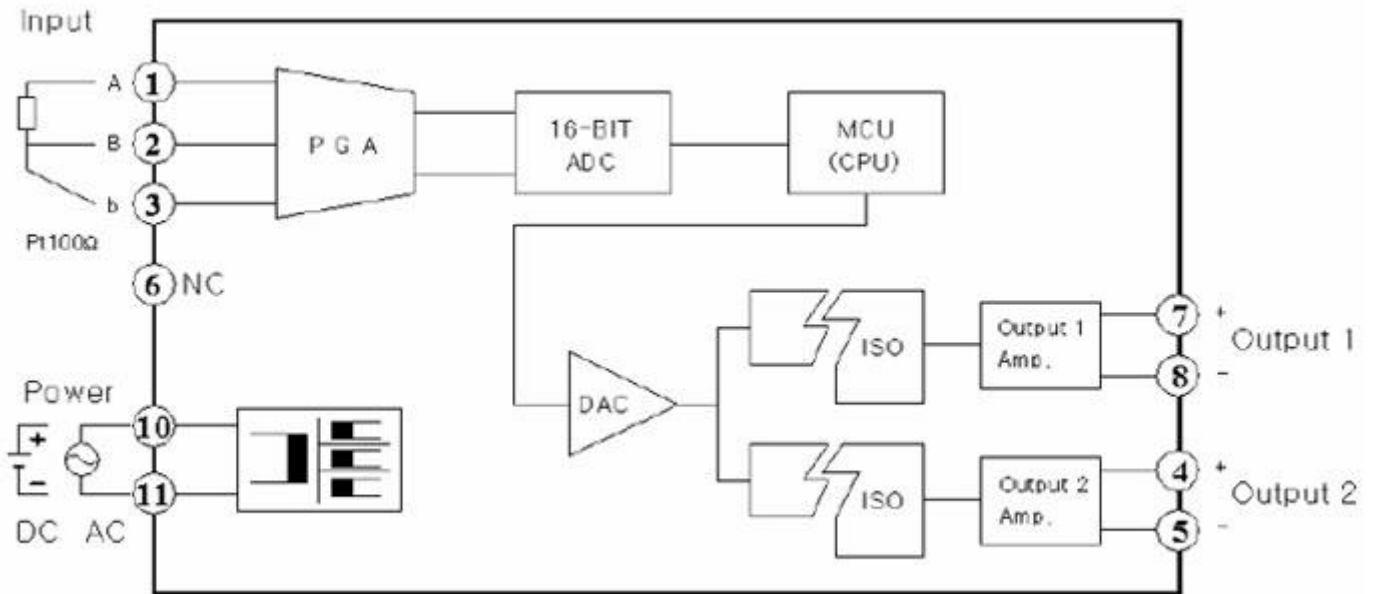
Input Specifications

Input	Specifications
Sensor Supply	DC 2mA
Pt 100Ω/DIN	- 200 ~ 800°C
Pt 50Ω	- 200 ~ 500°C
PMC (3-Wire)	0 ~ 100kΩ

Output Specifications

Output	Load Resistance	Impedance
0 ~ 5V	2kΩ or more	0.1Ω or less
0 ~ 10V	4kΩ or more	
0 ~ 1mA	0 ~ 10kΩ	5MΩ or more
4 ~ 20mA	0 ~ 600Ω	

Block Diagram



Dimensions and Terminal Connection

