

**Semi Multi Slim Signal Isolation Converter SCONI-SI-200S**



**Features**

SCONI-SI-200S series Semi Multi Slim Signal Isolation Converter can receive various DC signals of mA or Volt. Reliability is guaranteed by adopting 16 Bit A/D converter of high performance and accuracy. Dual outputs of current or voltage can be installed.

**General Specifications**

| items                 | Specifications                                       |
|-----------------------|--|
| Input Resistance      | Volt Type : 400kΩ<br>mA Type : 250Ω                  |
| Sensor Power          | DC 24V/80mA ± 0.5% or Less                           |
| Response Time         | 100ms (Volt, mA)                                     |
| Allowable Tolerance   | 0.2% of Span at 23℃                                  |
| Linearity             | 0.1% of Span   |
| Load Resistance       | 0~10V DC (4kΩ or more)<br>4~20mA DC (0 ~ 600Ω)       |
| Insulation Resistance | More than 100MΩ at DC 1000V between input and output |
| Withstand Voltage     | AC 1500V/min between Input, Output and Power Supply  |
| Power Supply          | AC 85~264V, 50/60Hz 3VA<br>DC 24V ±10% 100mA         |
| Ambient Temperature   | -10 ~ 60℃  |
| Ambient Humidity      | 10 ~ 90%   |
| Weight                | Appr. 180g   |
| Material / Color      | Non-Flammable ABS / Black                            |
| Dimensions            | W28.5 x H90 x D103 (mm)                              |
| Mounting Type         | Wall or DIN Rail                                     |

**Order Information**

**SCONI - SI - 200S -**

**Input Signals**

|   |   |
|---|---|
| 1 | DC 0 ~ 50mV                               |
| 2 | DC 0 ~ 100mV                              |
| 3 | DC 0 ~ 5V                                 |
| 4 | DC 0 ~ 10V                                |
| 5 | DC 1 ~ 5V                                 |
| 6 | DC 1 ~ 5mA                                |
| 7 | DC 0 ~ 20mA                               |
| 8 | DC 4 ~ 20mA<br>Also usable for 24V/4~20mA |
| R | Other                                     |

**Output-1 Signals**

|   |             |
|---|-------------|
| 1 | DC 0 ~ 5V   |
| 2 | DC 0 ~ 10V  |
| 3 | DC 1 ~ 5V   |
| 4 | DC 0 ~ 20mA |
| 5 | DC 4 ~ 20mA |
| R | Other       |

**Output-2 Signals**

|   |             |
|---|-------------|
| 1 | DC 0 ~ 5V   |
| 2 | DC 0 ~ 10V  |
| 3 | DC 1 ~ 5V   |
| 4 | DC 0 ~ 20mA |
| 5 | DC 4 ~ 20mA |
| R | Other       |
| N | Not used    |

**Power Supply**

|   |                  |
|---|------------------|
| X | AC 85~264V       |
| Y | DC 24V(Optional) |

**Semi Multi Slim Signal Isolation Converter SCONI-SI-200S**

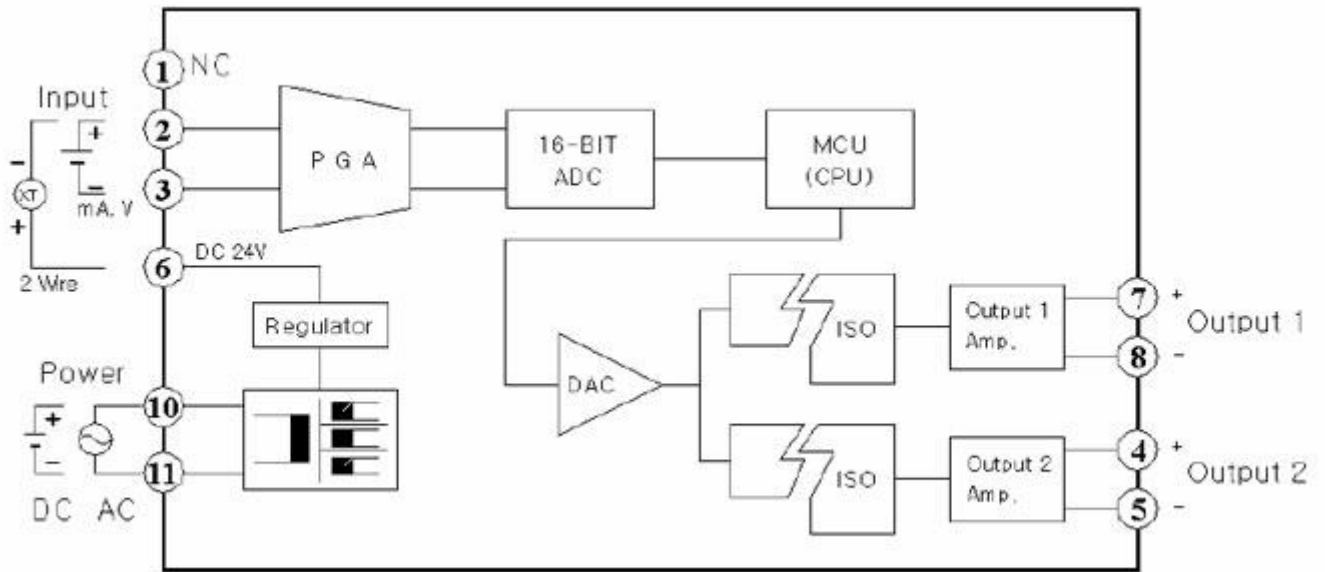
□ **Input Specifications**

| Input     | Impedance   |
|-----------|-------------|
| 0 ~ 100mV | 700kΩ ~ 2MΩ |
| 0 ~ 10V   |             |
| 0 ~ 1mA   | 1.2kΩ       |
| 4 ~ 20mA  | 250Ω        |

□ **Output Specifications**

| Output   | Load Resistance | Impedance    |
|----------|-----------------|--------------|
| 0 ~ 5V   | 2kΩ or more     | 0.1Ω or less |
| 0 ~ 10V  | 4kΩ or more     |              |
| 0 ~ 1mA  | 0 ~ 10kΩ        | 5MΩ or more  |
| 4 ~ 20mA | 0 ~ 600Ω        |              |

□ **Block Diagram**



□ **Dimensions and Terminal Connection**

