



### □ Features

- Various types of input signal can be accepted.
- Excellent reliability is guaranteed by adopting 16 Bit A/D converter with high performance and accuracy.
- Useful functions such as Peak and Hold are built-in, so can be used for various purposes.
- RS485 ModBus communication module can be installed, so distant monitoring and control is possible.
- 4 points as alarm output can be installed, and each point of these alarm outputs can be set to upper or lower limit separately. Also separate setting of Dead Band for these outputs is possible.
- 2 isolated outputs such as current and voltage can be installed. And separate scaling of these outputs is possible.
- Function of easy input and output signal checking with Mode Key is equipped as a standard option.

### □ Input Type

Type		Range	Display
T/C	B(PR)	0 ~ 1800℃	TC- B
	R(RR)	0 ~ 1750℃	TC- R
	S(PR)	0 ~ 1750℃	TC- S
	K(CA)	-250 ~ 1350℃	TC- K
	E(CRC)	-199.9 ~ 700.0℃	TC- E
	J(IC)	-199.9 ~ 800.0℃	TC- J
	T(CC)	-199.9 ~ 400.0℃	TC- T
	N(NN)	-250 ~ 1350℃	TC- N
RTD	DPt100Ω	-199.9 ~ 800.0℃	D-PT
	JPt100Ω	-199.9 ~ 500.0℃	J-PT
Volt	mV	-100 ~ 100mV DC	MV
	1 Volt	-1.0 ~ 1V DC	1 V
	10 Volt	-10 ~ 10V DC	10 V
mA	mA	4 ~ 20 mA	20MA
	2-wire	24V/4~20mA DC	20MA

### □ Order Information

SCONI - 1000 -

### □ Input Signals

Multi	T/C, RTD
	mV, Volt, mA

### □ Alarm Signals

1	2 Alarm (SPDT)
2	4 Alarm (SPST)
N	Not used

### □ Output-1 Signals

1	DC 0 ~ 5V
2	DC 0 ~ 10V
3	DC 1 ~ 5V
4	DC 0 ~ 20mA
5	DC 4 ~ 20mA
R	Other
N	Not used

### □ Output-2 Signals

1	DC 0 ~ 5V
2	DC 0 ~ 10V
5	DC 4 ~ 20mA
7	RS 485 (ModBus)
R	Other
N	Not used

### □ Power Supply

X	AC 85 ~ 264V (50~60Hz)
Y	DC 24V (Option)

※ In case of model with Indicator function only required  
ex) SCONI - 1000 - NNNX(Y)

### □ Specifications

Item	Specifications
Input Resistance	Volt Type : 400kΩ, mA Type : 250Ω
	Others : 1MΩ
Source Resistance	Pt100Ω : 30Ω/Line, Others : 1kΩ/Line
Sensor Power	DC 24V / 80mA, ± 0.5%
Response Speed	100ms (Volt, mA) , 200ms (T/C, RTD)
Relay Contact	AC 125V (2A) , DC 30V (2A)
Communication & Speed (ModBus)	RS 485 (4800, 9600, 19200,38400 Bps)
	ID(Address) Settings : 01~99
	Data Type : 8Bit data. Even Parity 1Stop
	Protocol : ModBus 1.1 RTU
Filter Function	NONE(FAST), 4, 8, 16, 32
Allowable Tolerance	0.2% of Span at 23℃
Linearity	0.1% of Span
Output Load Resistance	4~20mA DC(0 ~ 600Ω)
	0~10V DC(1kΩ or more)
Isolation Resistance	More than 100MΩ (1000V DC) between Input and Output
Withstand Voltage	AC 1500V/min between Input, Output and Power
Power Supply	AC 85 ~ 264V (50/60Hz) Max. 10VA
	DC 24V ±10%, Max. 200mA, 5VA
Ambient Temperature	-10 ~ 60℃
Ambient Humidity	10 ~ 90%
Weight	Appr. 250g (AC/DC)
Material/Color	Non-Flammable ABS / Gray
Dimensions	W 96 x H 48 x D 112 (mm)
Cutting Size for Mounting	W 92.5 x H 44.5 (mm)
Mounting Type	Panel Flush

### □ Functions

#### □ Input and Output Data Checking

Input and output value(0~100%) can be easily checked anytime with Mode Key without Tester

#### □ Display Scaling (mV, Volt, mA Type)

To set up display (PV) value according to the scale and input range.

#### □ Output Scaling

Values of current or voltage output are converted according to the output scale set.

#### □ Sensor Compensation

To add up or subtract a compensation value into the measured values when zero point is shifted due to a long time use of sensor or an undesirable tolerance occurs due to a long line from sensors.

#### □ Functioning (mV, Volt, mA Type)

Limit : Display "0" when input signal is down.

Linear : When using "—" data of displayed value

Root Square : Display square root( $\sqrt{\quad}$ ) value of output data

Square Root : Display square value of the input data

#### □ Filter

None(Fast), 4, 8, 16, 32

Filtering function is against response speed or noise possible at site.

#### □ Communication

Distant monitoring is possible when RS485 (ModBus) communication module is installed and connected to computers.

#### □ Alarm

2(A, B) points or 4(A) points of alarm can be set separately. This separate relay contact output of upper or lower limit are sent.

#### □ Alarm Control

Alarm Relay3 can be used as control function if Alarm Type 3,4 CNT is set. On in value lower than AP-3 and Off in value more than AP-4.

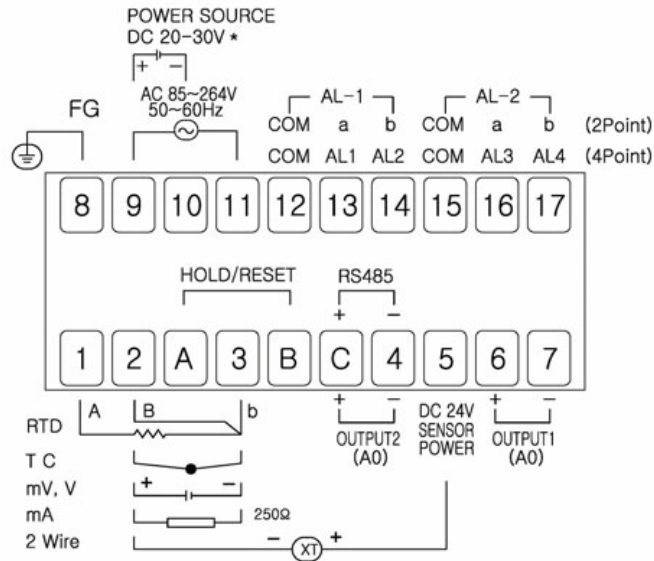
EX) AP-3 ---> 40.0% , Ap-4 ---> 60.0%

□ High peak and Low peak of input value can be checked.

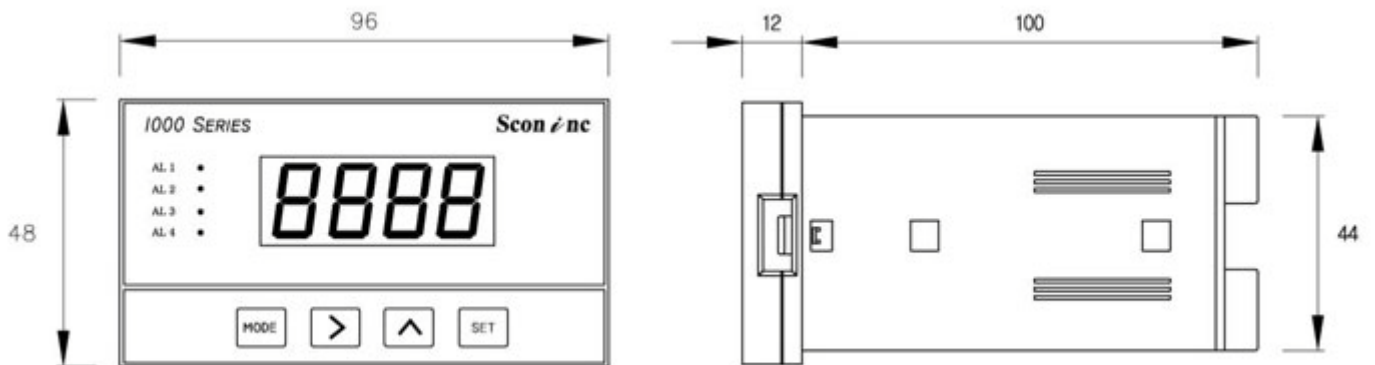
□ External Hold and Reset function is possible (Option)

□ High Peak and Low Peak function of present value can be set.

### □ Terminal Connection



### □ Dimensions and Mounting Guide



### □ Panel Cutting Size

